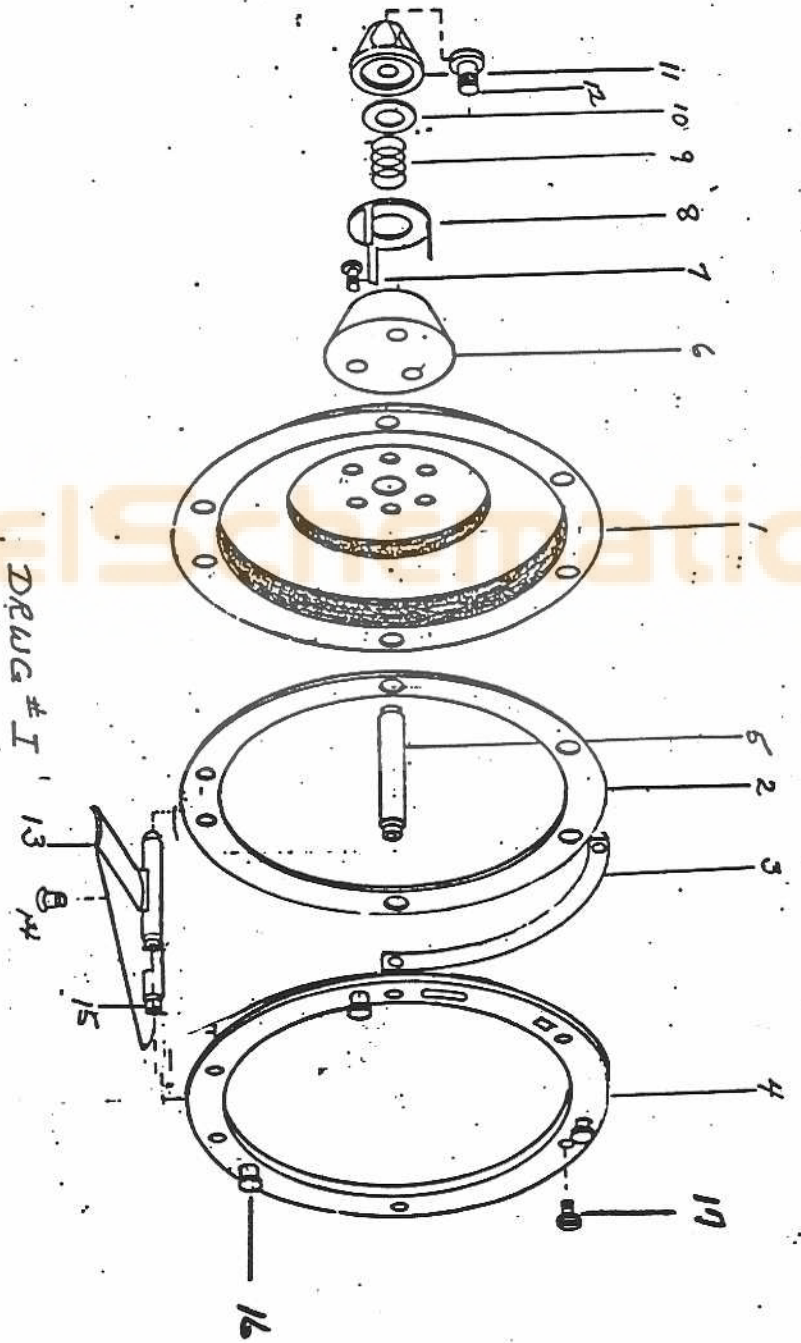


72-R



DRUG # I

QUANTITY	PART NUMBER	DESC
1	S-1-72	BRCK
1	193	RIM
4	194	LINE GUIDE
1	199	UPPER RIN
4	191	LINE GUIDE POST
1	270	END CAP (BLACK)
3	248-S	END CAP SCREW
1	271-P	SPRING PLUNGER
1	244-S	DRAG SPRING
1	441-S	DRAG NUT WASHER
1	269	DRAG NUT (BLACK)
1	838	DRAG NUT SCREW
1	192	HEEL FOOT
2	203	HEEL FOOT SCREW
2	264	HEEL FOOT POST
3	LOCK STUD	
12	PILLAR SCREW	